



VIVAX
METROTECH

VM-880

Technical Specifications V1.6



Worldwide Locations

World Headquarters, United States of America

Vivax-Metrotech Corporation

3251 Olcott Street, Santa Clara, CA 95054, USA

T/Free : 1-800-446-3392

Tel : +1-408-734-1400

Fax : +1-408-734-1415

Website : www.vivax-metrotech.com

Email : SalesUSA@vxmt.com

Central/South America and the Caribbean

Ventas para América Latina

3251 Olcott Street, Santa Clara, CA 95054, USA

T/Free : 1-800-446-3392

Tel : +1-408-734-1400

Fax : +1-408-743-5597

Website : www.vivax-metrotech.com

Email : LatinSales@vxmt.com

Canada

Vivax Canada, Inc.

41 Courtland Ave Unit 8, Vaughan, ON L4K 3T3, Canada

Tel : +1-289-846-3010

Fax : +1-905-752-0214

Website : www.vivax-metrotech.ca

Email : SalesCA@vxmt.com

United Kingdom

Vivax-Metrotech Ltd.

Unit 1, B/C Polden Business Centre, Bristol Road, Bridgwater, Somerset, TA6 4AW, UK

Tel : +44(0)1793 822679

Website : www.vivax-metrotech.co.uk

Email : SalesUK@vxmt.com

France

Vivax-Metrotech SAS

Technoparc - 1 allée du Moulin Berger, 69130 Ecully, France

Tel : +33(0)4 72 53 03 03

Fax : +33(0)4 72 53 03 13

Website : www.vivax-metrotech.fr

Email : SalesFR@vxmt.com

Germany

Metrotech Vertriebs GmbH

Am steinernen Kreuz 10a
D-96110 Schesslitz

Tel : +49 954 277 227 43

Website : www.vivax-metrotech.de

Email : SalesEU@vxmt.com

China

Vivax-Metrotech (Shanghai) Ltd.

3/F No.90, Lane 1122 Qinzhou Rd.(N),
Shanghai, China 200233

Tel : +86-21-5109-9980

Fax : +86-21-2281-9562

Website : www.vivax-metrotech.com







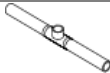
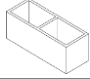
Email : SalesCN@vxmt.com.cn

A. Description and Typical Applications

Item	Parameter
Model Name	VM-880 Magnetometer
Model Number	VX209-01
Description	VM-880 Ferrous Metal Detector
Uses	Locating & pinpointing buried ferrous objects

B. Nominal Locating Capability

Typical metal (ferrous or steel) objects are shown here. Depth indications are typically distances. The Depth range depends on mass of the metal and may vary greatly from what is indicated below.

Depth	Ferrous or Steel	Depth	Ferrous or Steel
<i>Small PK Nail Up to 6 in (15 cm)</i>		<i>Cast Iron Pipe Joint Up to 9 ft (2.7m)</i>	
<i>1½ in(4 cm) Large PK Nail Up to 10in (25 cm)</i>		<i>Manhole cover Up to 10ft (3m)</i>	
<i>Marker Stake Up to 8ft (2.4m)</i>		<i>5in Iron Pipe Up to 10ft (3m)</i>	
<i>Valve Box Up to 10ft (3m)</i>		<i>Large Iron Tank Up to 16ft (4.8m)</i>	

C. VM-880 Characteristics

Item	Parameter
Construction	<ul style="list-style-type: none"> Carbon fiber reinforced antenna tube High impact thermoplastic (ABS) injection molded housing
Weight	1.54lbs (0.7kg)
Dimensions	43in(L) x 2.5in(W) x 2.6in(H) (1090mm x 88mm x 67mm)
Digital Display	Indicates polarity, signal level, battery condition and power signal warning
Piezo Speaker	Tone frequency increases or decreases with gradient field intensity.
Receiver Antennas	Dual magnetometers
Batteries	2 x AA (LR6) Alkaline batteries
Battery Life	Alkaline – typically 26 hours continuous use at 70°F (21°C)
Controls	Pushbutton keypad: On/Off/Speaker, sensitivity '+' and '-', auto sensitivity, screen invert
Connectors	1 x mini USB socket for programming

Approvals	<ul style="list-style-type: none"> Complies with European standard CE (Directive 99/5/EC) <ul style="list-style-type: none"> EN 55011 EN 61000-4-2 EN 61000-4-3 EN 61000-4-8 Complies with FCC Rules Part 15 <ul style="list-style-type: none"> CFR 47 Part 15: 2006
Manufacturing	Designed and manufactured per ISO 9001:2015
What's In the Box	<ul style="list-style-type: none"> VM-880 Receiver Soft carry bag Manual

D. Operational

Item	Parameter
Configuration	<ul style="list-style-type: none"> On/off/speaker <ul style="list-style-type: none"> Short press to turn on Short press toggles volume (zero, middle, max) Long press to turn off Auto Time Off <ul style="list-style-type: none"> Unit will shut down if no control button is touched for 15 mins. '+' increases sensitivity '-' decreases sensitivity Auto sensitivity pushbutton <ul style="list-style-type: none"> Adjust sensitivity to the center for given magnetic field Long press to invert screen

E. Environmental

Item	Parameter
Temperature Range	Operating: 14°F to 120°F (-10°C to 50°C) Storage: -40°F to 140°F (-40°C to 60°C)
Weatherproof	IP54 and NEMA 4
Shipping Weight	4.4lbs (2kg)
Shipping Dimension	47in(L) x 3in(W) x 6.7in(H) (1195mm x 80mm x 170mm)

F. Warranty

Item	Parameter
Warranty	12 months

G. Features

Item	Parameter	
Enhanced Features	<ul style="list-style-type: none"> Enhanced ergonomic design Visual and audible output Field polarity indication Superior sensitivity over wide temperature range Rejects non-magnetic objects Weather resistant High rejection of power source 	<ul style="list-style-type: none"> interference Lightweight High-impact construction Rugged Compact 50/60Hz power proximity warning Screen invert

Disclaimer: Product and accessory specification and availability information are subject to change without prior notice..